



USB-87P1/USB-87P2/USB-87P4/USB-87P8

1/2/4/8-slot USB I/O Expansion Unit with Intelligent CPU Module (DCON Protocol)

Features

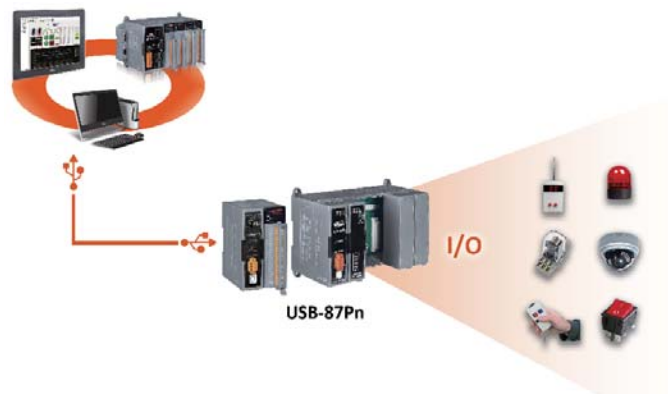
- One USB Port
- DCON Protocol (ASCII-based format)
- Hot Swap Allowed
- Auto Configuration
- LED Indicators for Fault Detection
- 1/2/4/8 Slot(s) for I-87K Modules
- Operating Temperature: -25 ~ +75 °C



Introduction

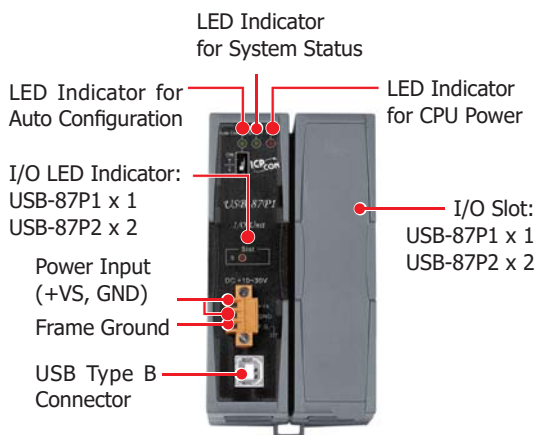
USB-87P1/2/4/8 is an unit to expand I/O via the USB. It is designed to be used in harsh and noisy environment, so the hardware is manufactured with wide power input range (10 ~ 30 VDC), isolated power input and can operate under wide temperature (-25 ~ +75 °C). To simplify installation and maintenance of I/O modules, it provides many useful features, such as: hot swap allowed, auto configuration, LED indicators for fault detection, dual watchdog to keep alive, programmable power on and safe values for safety.

There are more than 30 I/O modules supported with the unit, including analog input/output, digital input/output, counter, frequency I/O modules. We provide various software development kits (SDK) and demos, such as DLL, Labview driver, InduSoft driver, Linux driver, OPC server. The I-87K series I/O modules plugged in the USB-87P1/2/4/8 can be easily integrated into variant software system.

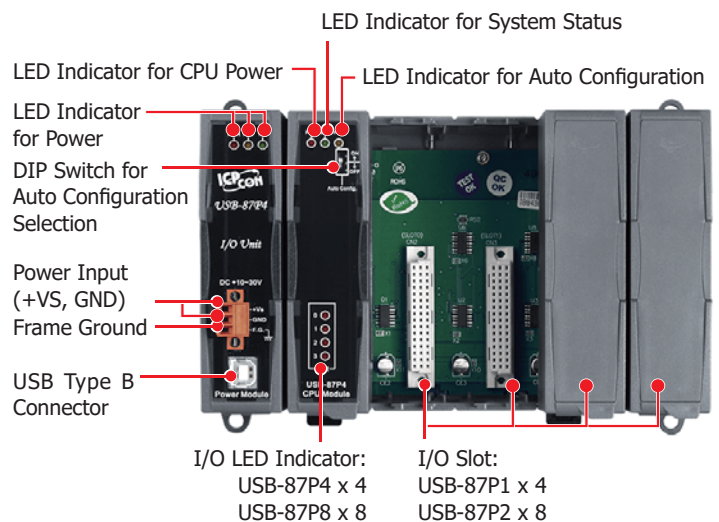


Apparances

USB-87P1/USB-87P2



USB-87P4/USB-87P8

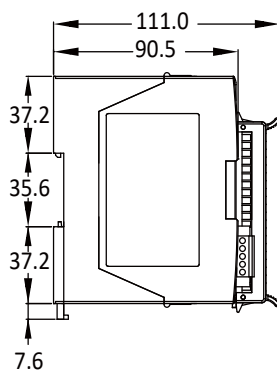


Specifications

Models	USB-87P1	USB-87P2	USB-87P4	USB-87P8
Communication Ports				
Port Type	1 x USB Type B Connector (3000 VDC Isolated)			
ESD Protection	±4 Contact Discharge and ±8 K Air Discharge			
Communication Protocol	DCON Protocol (ASCII format)			
HMI				
DIP Switch	1-bit; 1 for Auto Configuration Selection			
LED Indicators				
I/O LED Indicator	1	2	4	8
System LED Indicator	1 x Power, 1 x System Status, 1 x Auto Configuration		1 x Power, 1 x CPU Power, 1 x System Status, 1 x Auto Configuration	
I/O Expansion				
I/O Type	I-87K series			
Slots	1	2	4	8
Mechanical				
Dimensions (W x H x D, unit: mm)	64 x 120 x 111	95 x 132 x 111	188 x 132 x 111	312 x 132 x 111
Installation	DIN-Rail, Wall mounting			
Environmental				
Operating Temperature	-25 ~ +75 °C			
Storage Temperature	-30 ~ +80 °C			
Ambient Relative Humidity	10 ~ 90 % RH, Non-condensing			
Power				
Input Range	+10 ~ 30 VDC (1 kV Isolated)			
Reverse Polarity Protection	Yes			
Consumption	1.0 W		2.0 W	2.4 W
Power Board Driving	5.0 W	8.0 W	30.0 W	

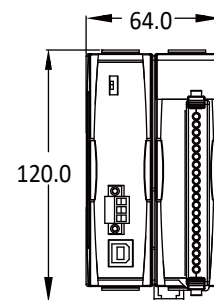
Dimensions (Units: mm)

USB-87P1/USB-87P2/USB-87P4/USB-87P8



Left Side View

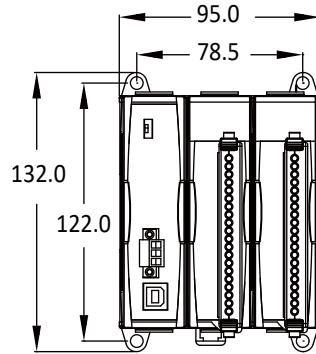
USB-87P1



Front View

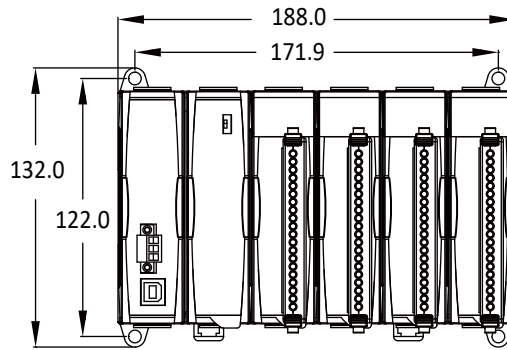
■ Dimensions (Units: mm)

USB-87P2



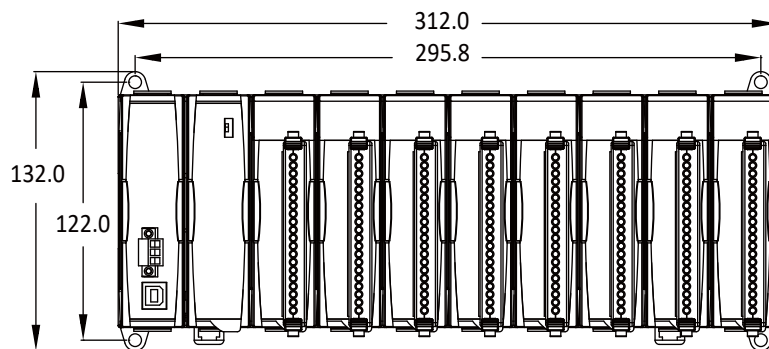
Front View

USB-87P2



Front View

USB-87P2



Front View

■ Ordering Information

USB-87P1-G CR	1-slot USB I/O Expansion Unit with Intelligent CPU Module (DCON Protocol) (Gray Cover) (RoHS)
USB-87P2-G CR	2-slot USB I/O Expansion Unit with Intelligent CPU Module (DCON Protocol) (Gray Cover) (RoHS)
USB-87P4-G CR	4-slot USB I/O Expansion Unit with Intelligent CPU Module (DCON Protocol) (Gray Cover) (RoHS)
USB-87P8-G CR	8-slot USB I/O Expansion Unit with Intelligent CPU Module (DCON Protocol) (Gray Cover) (RoHS)